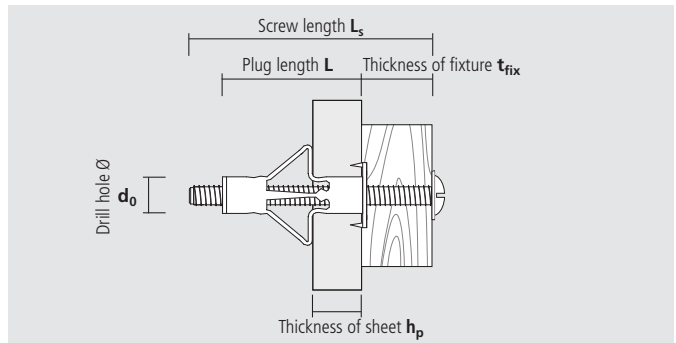


Cavity fixings



Cavity fixing HRM



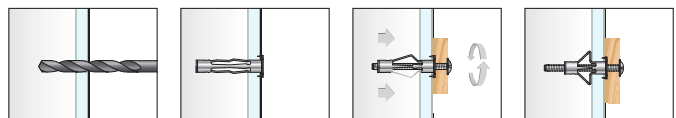
Advantages

- Suitable for fixings on boards like gypsum boards or chipboards, but also in hollow ceilings for example
- After successful installation, the anchor expands over a large area, resulting in high load values
- Mounting with installation pliers MZA 100, cordless screwdriver and screwdriver possible; the installation pliers are recommended for a quick and controlled installation

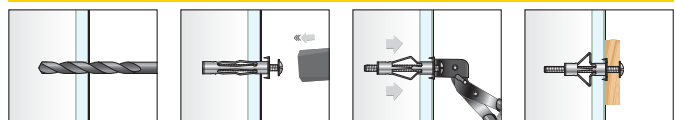
Suitable building materials

- ✓ Cavity ceilings
- ✓ Cavity walls
- ✓ Plasterboard
- ✓ Chipboard
- ✓ Hollow bricks/blocks with large chambers

Mounting without installation plier



Mounting with installation plier (recommended)



HRM		Art-No		d ₀ [mm]	h _p min-max [mm]	Thread	L _s [mm]	L [mm]	Price €/100 pcs	Packing	
Type	new	old	[pcs]							[pcs]	
craftsman pack	HRM 4-20	9420HRM	508170	8	3-18	M 4	52	46		100	1200
	HRM 4-24	9424HRM	-	8	18-24	M 4	58	52		100	1000
	HRM 4-38	9438HRM	508171	8	32-38	M 4	65	59		100	1000
	HRM 5-16	9516HRM	508172	11	3-16	M 5	58	52		100	500
	HRM 5-32	9532HRM	508173	11	14-32	M 5	71	65		100	500
	HRM 5-45	9545HRM	-	11	32-45	M 5	88	80		100	900
	HRM 6-16	9616HRM	508174	13	3-16	M 6	58	52		100	500
	HRM 6-32	9632HRM	508175	13	14-32	M 6	71	65		100	900
	HRM 6-45	9645HRM	-	13	32-45	M 6	88	80		100	900
	HRM 8-16*	9816HRM	-	13	3-16	M 8	61	53		100	300
HRM 8-32*	9832HRM	-	13	16-32	M 8	73	66		100	300	
small pack (with viewing window)	HRM 4-20	9420HRM50	-	8	3-20	M 4	52	46		50	1350
	HRM 4-24	9424HRM50	-	8	18-24	M 4	58	52		50	1350
	HRM 4-38	9438HRM50	-	8	32-38	M 4	65	59		50	1350
	HRM 5-16	9516HRM50	-	11	3-16	M 5	58	52		50	1350
	HRM 5-32	9532HRM25	-	11	14-32	M 5	71	65		25	675
	HRM 5-45	9545HRM25	-	11	32-45	M 5	88	80		25	675
	HRM 6-16	9616HRM25	-	13	3-16	M 6	58	52		25	675
	HRM 6-32	9632HRM25	-	13	14-32	M 6	71	65		25	675
	HRM 6-45	9645HRM25	-	13	32-45	M 6	88	80		25	675
	HRM 8-16*	9816HRM25	-	13	3-16	M 8	61	53		25	675
HRM 8-32*	9832HRM20	-	13	16-32	M 8	73	66		20	540	

* hex-head screw, SW 13

Cavity fixings



Cavity fixing HRM



Installation pliers MZA 100 for HRM			Price	Packing	
Type	Art-No		€/pc	[pcs]	[pcs]
	new	old			
MZA 100	9MZA00	508176		1	-

Type	Plywood 6 mm F _{rec} [kN]	Chipboard 16 mm F _{rec} [kN]	Plasterboard			
			h _p = 9,5 mm F _{rec} [kN]	h _p = 12,5 mm F _{rec} [kN]	h _p = 2 x 12,5 mm F _{rec} [kN]	h _p = 3 x 12,5 mm F _{rec} [kN]
HRM 4-20	0,15	0,25	0,15	0,15	-	-
HRM 4-24	-	-	-	-	0,15	-
HRM 4-38	-	-	-	-	-	0,25
HRM 5-16	0,20	0,25	0,20	0,20	-	-
HRM 5-32	-	-	-	-	0,35	-
HRM 5-45	-	-	-	-	-	0,35
HRM 6-16	0,25	0,30	0,25	0,25	-	-
HRM 6-32	-	-	-	-	0,35	-
HRM 6-45	-	-	-	-	-	0,40
HRM 8-16	0,30	0,40	0,25	0,25	-	-
HRM 8-32	-	-	-	-	0,40	-

F_{rec}: Recommended loads incl. safety factor (μ=3)